

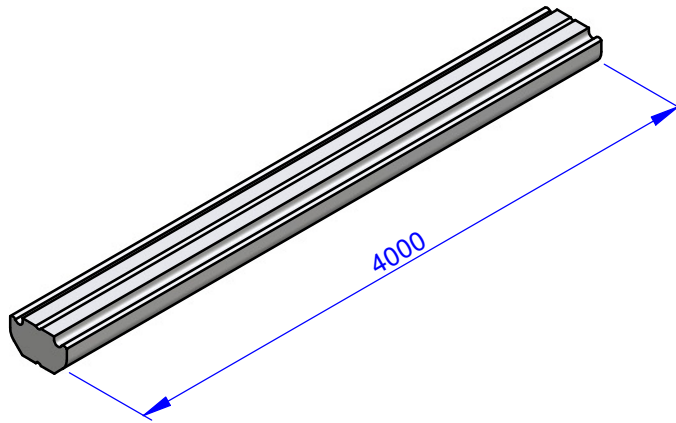
THE PROPERTY OF THIS DRAWING IS ESTABLISHED BY LAW  
IT IS FORBIDDEN TO REPRODUCE IT OR SHOW IT TO THIRD PARTY  
WITHOUT A WRITTEN AGREEMENT.

MODIFICATIONS:    VARIED DIMENSIONS AS OF DATE:

7.	10.
8.	11.
9.	12.

MODIFICATIONS:    VARIED DIMENSIONS AS OF DATE:

1.	4.
2.	5.
3.	6.



Format    A4  
UNI 936-76

<b>FP</b> Services		DESIGNED FROM FPSERVICES	
		DATE    09/2013	WEIGHT 1,676 kg
GENERAL TOLERANCE: UNI - ISO 2768 CLASSE f	DESCRIPTION	CODE <b>CA.GWP.4000</b>	

